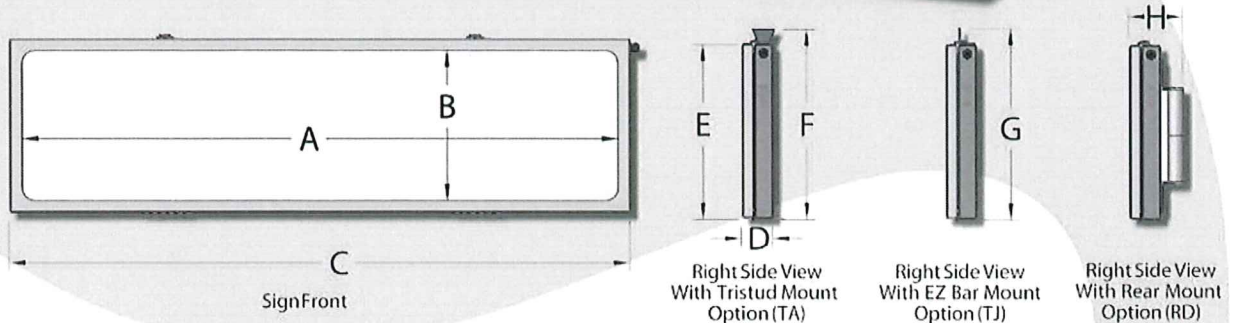




# CLEAN PROFILE illuminated Signs



A - Standard viewable widths of 4', 6' or 8' - custom widths available

B - Viewable height of 12" to 24" in 1" increments

C - Overall width of 3" greater than the viewable width

D - Sign depth: 3.75" single faced & 5.15" double faced

E - Overall sign height: 3" greater than viewable area

F - Overall a height w/mounting tab for tri-stud bracket of B+4.9"

G - Overall height with mating for EZ Bar mount of B+4.9"

H - Over assembly depth with rear mounting bracket of 6.5" - single faced only

Viewable area	4 foot	6 foot	8 foot
15 inch	34 lbs	48 lbs	63 lbs
20 inch	40 lbs	55 lbs	71 lbs

## Features:

- Excellent day and night visibility
- Energy efficient/Very Low wattage required for LED
- Designer street name styles and frames available
- Standard design requires no tools to open sign or replace lens.
- Certified to 110 mph wind and rain.
- Radiant high temperature fail-safe circuit for LED to prevent premature burn out in extreme temperatures.
- IISNS is Pending FDOT APL and UL Approved.
- Independently tested to surpass 6 year thermal cycle test.
- Entire surface is illuminated at greater than 400 Lux.
- Custom styled lenses available
- Mounting brackets - EZ Bar or tri-stud on top of sign and back rigid mount available.
- 7 year limited warranty

**RAI PRODUCTS • PO Box 240772 • Charlotte, NC 28224**

**Ph: 704.525.1852 • Fx: 704.525.1859 • Toll Free: 888.776.7325**

**• info@raiproducts.com •**